

MOBOTIX D25M MonoDome Camera



Fits In. Watches Out.


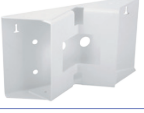
Elegance and discreetness based on cutting-edge technology: Up to 30 HiRes images per second and excellent image quality even under poor illumination. The MOBOTIX D25 is perfectly suited for any task. Exchangeable lenses and various mounting and configuration options, including Vandalism Set, support countless applications.

- Elegant dome camera with exchangeable lenses from telephoto to wide-angle lens
- Numerous installation options both outdoors or indoors
- 5MP sensor technology for detailed images and smooth video streams even in dark surroundings
- Integrated DVR (up to 64 GB) for long-term recording without network load
- Robust, low-maintenance and weatherproof device with no moving parts (IP65)
- Digital continuous pan, tilt and zoom function; improved zoom thanks to 5MP
- Intelligent movement sensors (MxActivitySensor)
- Can be expanded into an intercom using the MOBOTIX ExtIO module

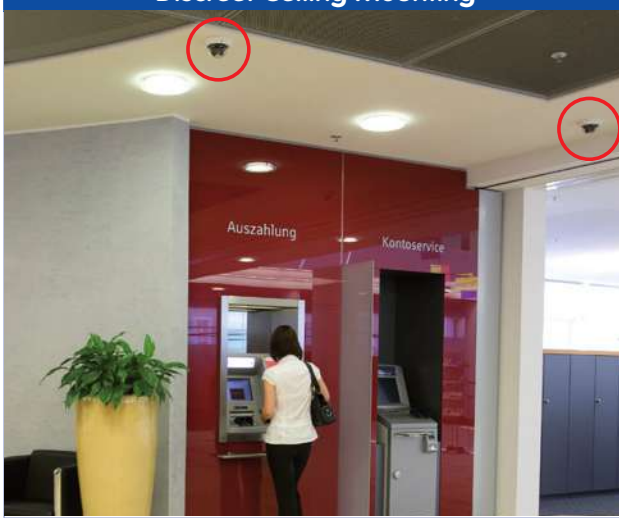
MOBOTIX Advantages

Extremely high-sensitive 5-megapixel sensors • All relevant events are automatically saved • Highly secure as motion sensors detect even the smallest movements and reduce the number of false alarms • Cost-effective as fewer cameras are needed thanks to HiRes Images • Maintenance-free with no heaters, fans or moving parts • Can be expanded thanks to encrypted two-wire bus (MxBus) • Synchronization via GPS satellite means data available in real time • Weatherproof from -30°C to 50°C (-22°F to 122°F) • No licensing or software fees, free-of-charge updates



| Accessories | |
|---|--|
|  | In-ceiling set <ul style="list-style-type: none"> • Installation set with mounting accessories • Simple installation from the front • 15 cm diameter • Optionally available with stainless steel ring |
|  | On-wall set <ul style="list-style-type: none"> • Consists of on-wall set and mounting parts • Concealed cabling • 16.5 x 3.7 cm |
|  | Vandalism set <ul style="list-style-type: none"> • Reinforced dome (3 mm polycarbonate) • Stainless steel anti-vandalism ring (polished, matt or powder-coated in white, silver-gray or black) |
|  | Wall mount <ul style="list-style-type: none"> • Weatherproof (IP65) • Covers RJ45 in-wall sockets and PatchBox • Space for expansion modules (Wi-Fi) |
|  | Pole mount <ul style="list-style-type: none"> • 3 mm powder-coated stainless steel • 2 stainless steel straps for pole diameters from 6 to 18 cm, incl. mounting parts |
|  | ExtIO function expansion <ul style="list-style-type: none"> • Microphone/Speaker • Infrared motion sensor, temperature sensor • 2 signal inputs, 2 signal outputs, 2 illuminated keys |

Discreet Ceiling Mounting



The compact dome camera delivers detailed images even from a great distance thanks to powerful 5MP technology – and thanks to the sensors' high light sensitivity, emergency lighting conditions are sufficient.

| Technical Data | |
|---|--|
| Model versions | Basic, IT, IT-Night, Sec, Sec-Night |
| Lens options | 25 to 160 mm format, horizontal angle 82° to 13° |
| Sensitivity | Color sensor: 0.25 lux at 1/60 s, 0.013 lux at 1 s B/W sensor: 0.05 lux at 1/60 s, 0.0025 lux at 1 s MxLEO – Lowlight Exposure Optimization |
| Image sensors | 1/2.5" CMOS, 5 megapixels, progressive scan |
| Max. image size | Color: 2048 x 1536 (QXGA), B/W: 2048 x 1536 (QXGA) |
| Image Formats | 2048 x 1536, 1280 x 960, 1024 x 768, 800 x 600, 768 x 576 (D1), 704 x 576 (TV-PAL), 640 x 480, 384 x 288, 352 x 288, 320 x 240, 160 x 120; free image format selection (e.g. 1000 x 200 for skyline) |
| Max. frame rate, M-JPEG (live/recording) | VGA: 30 fps, MEGA/HD: 10 fps, QXGA: 4 fps |
| Max. video rate MxPEG (live/recording/sound) | VGA: 30 fps, MEGA/HD: 30 fps, QXGA: 20 fps |
| Image compression | MxPEG, M-JPEG, JPEG, H.264 (SIP video only) |
| Internal DVR | MicroSD Slot (recording inside the camera, up to 64 GB; 4-GB card preinstalled) |
| External storage | Directly on NAS and computer/server without additional recording software |
| Software (free of charge) | MxEasy video management software, MxControlCenter control center software, MOBOTIX App for iOS devices iOS 5.0 and higher |
| Image processing | Backlight compensation, automatic white balance, image distortion correction, motion detection, MxActivitySensor |
| Virtual PTZ (vPTZ) | Digital pan/tilt/zoom, continuous 8x zoom, full image recording in the background |
| Alarm/events | Triggering of events by integrated multiple-window motion detection, external signals, temperature sensor, notification via e-mail, FTP, IP telephony (VoIP, SIP), visual/acoustic alarm, pre- and post-alarm images |
| Audio (with ExtIO accessory) | Intercom, lip-synchronous live sound, sound recording; video VoIP supported |
| Interfaces | Ethernet 10/100, IPv4/IPv6, MiniUSB, MxBus, IO and RS232 via MX-232-IO-Box (accessory) |
| Video telephony | VoIP/SIP, intercom, remote controlling with key code, event notification |
| Security | User/group management, HTTPS/SSL, IP address filter, IEEE 802.1x, intrusion detection, digital image signature |
| Certifications | EMC (EN 50121-4, EN 55022, EN 55024, EN 61000-6-2, FCC Part 15B, AS/NZS3548) |
| Power supply | Power over Ethernet (PoE in accordance with IEEE802.3af): PoE class variable (2/3) depending on operating mode; power consumption: typ. 4.5 watts |
| Operating conditions | IP65 (DIN EN 60529), -30 to +50 °C/-22 to +122 °F |
| Dimensions | diam. x H: 16 x 8.6 cm |
| Weight | about 350 g |

| Camera Model | D25Mi-Basic | D25M-IT | D25M-IT-Night | D25M-Sec | D25M-Sec-Night |
|---|--------------------|--------------------|--------------------|--------------------|--------------------|
| Lenses, Sensors | | | | | |
| Hemispheric 12 mm (180° x 160°) | – | – | – | – | – |
| Super Wide-Angle 25 mm (82° x 61°) | L25 | L25 | L25 | L25 | L25 |
| Wide-Angle 38 mm (55° x 41°) | L38 | L38 | L38 | L38 | L38 |
| Wide-Angle 51 mm (40° x 30°) | L51 | L51 | L51 | L51 | L51 |
| Tele 76 mm (27° x 20°) | L76 | L76 | L76 | L76 | L76 |
| Tele 160 mm (13° x 10°) | L160 | L160 | L160 | L160 | L160 |
| Tele 320 mm (7° x 5°) | – | – | – | – | – |
| CSVario 28 – 63 mm (28° – 58°) | – | – | – | – | – |
| Image sensor with individual exposure zones | Color | Color | B/W | Color | B/W |
| Sensor sensitivity in lux at 1/60 s /1 s | 0,25/0,013 | 0,25/0,013 | 0,005/0,0025 | 0,25/0,013 | 0,005/0,0025 |
| Image sensor resolution (color or B/W sensor) | 5 MP (2592 x 1944) | 5 MP (2592 x 1944) | 5 MP (2592 x 1944) | 5 MP (2592 x 1944) | 5 MP (2592 x 1944) |

| Hardware Functions | | | | | |
|---|-------------|----------------|----------------|----------------|----------------|
| Protection class | IP54 | IP65 | IP65 | IP65 | IP65 |
| Temperature range -30 to +50°C/-22 to +122°F | • | • | • | • | • |
| Temporary internal DVR | 2 MB | 32 MB | 32 MB | 64 MB | 64 MB |
| Internal DVR, ex works (max. 64 GB) | – | 4 GB (MicroSD) | 4 GB (MicroSD) | 4 GB (MicroSD) | 4 GB (MicroSD) |
| Microphone/speaker (only via MOBOTIX accessory) | –/– | via ExtIO | via ExtIO | via ExtIO | via ExtIO |
| Passive infrared sensor (PIR) | – | – | – | – | – |
| Integrated temperature sensor | – | • | • | • | • |
| Shock detector | – | • | • | • | • |
| Power consumption (typical) | < 4,5 watts | < 4,5 watts | < 4,5 watts | < 4,5 watts | < 4,5 watts |
| Variable PoE class (factory default: 3) | 2 or 3 | 2 or 3 | 2 or 3 | 2 or 3 | 2 or 3 |

| Image Formats, Frame Rates, Image Storage | | | | | |
|--|-----------------|-----------------|-----------------|--------------------|--------------------|
| Maximum image format (per sensor) | HD (1280 x 720) | HD (1280 x 720) | HD (1280 x 720) | QXGA (2048 x 1536) | QXGA (2048 x 1536) |
| Maximum frame rate (MxPEG, max. resolution) | 30 fps (HD) | 30 fps (HD) | 30 fps (HD) | 20 fps (QXGA) | 20 fps (QXGA) |
| CIF images with 4 GB MicroSD DVR | – | 250,000 | 250,000 | 250,000 | 250,000 |
| VGA images with 4 GB MicroSD DVR | – | 125,000 | 125,000 | 125,000 | 125,000 |
| HD images with 4 GB MicroSD DVR | – | 40,000 | 40,000 | 40,000 | 40,000 |
| QXGA images with 4 GB MicroSD DVR | – | – | – | 20,000 | 20,000 |

- available ex works
- not available

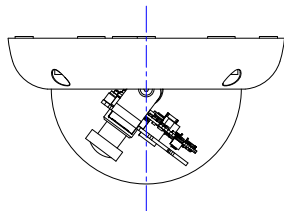


| Camera Model | D25Mi-Basic | D25M-IT | D25M-IT-Night | D25M-Sec | D25M-Sec-Night |
|---|-------------|---------------|---------------|---------------|----------------|
| General Functions | | | | | |
| Digital zoom (continuous) with panning | • | • | • | • | • |
| Codecs: Motion-JPEG/MxPEG/H.264 for SIP | •/•/– | •/•/• | •/•/• | •/•/• | •/•/• |
| Programmable exposure zones | • | • | • | • | • |
| Snapshot recording (pre/post-alarm images) | 3 | 10 | 10 | 50 | 50 |
| Terabyte ring buffer storage (internal/network) | – | • | • | • | • |
| Continuous recording with sound (0.2 to 30 fps – via ExtIO) | – | • | • | • | • |
| Event recording with sound (via ExtIO) | • | • | • | • | • |
| Time and event control/flexible event logic | –/– | •/– | •/– | •/• | •/• |
| Weekly schedules/holidays | – | • | • | • | • |
| Web functionality (FTP, email) | • | • | • | • | • |
| Playback/QuadView and MultiView | •/• | •/• | •/• | •/• | •/• |
| Bidirectional sound in browser (via ExtIO) | – | • | • | • | • |
| Logo generator, animated | – | • | • | • | • |
| Master/Slave arming | – | – | – | • | • |
| Several scheduled privacy zones | – | – | – | • | • |
| Customized voice messages | – | • | • | • | • |
| VoIP telephony (audio/video, alert – via ExtIO) | – | • | • | • | • |
| Remote alarm notification (network message) | – | • | • | • | • |
| Signal inputs/outputs and RS232 via | – | MX-232-IO-Box | MX-232-IO-Box | MX-232-IO-Box | MX-232-IO-Box |
| Programming interface (HTTP API) | – | • | • | • | • |
| Security Features (HTTPS/SL, IP-based access control, IEEE 802.1X network authentication) | • | • | • | • | • |
| Video Analysis | | | | | |
| Video motion detector | – | • | • | • | • |
| MxAnalytics | – | – | – | – | – |
| MxActivitySensor | – | • | • | • | • |
| Video Management Software | | | | | |
| MxEasy (Windows/Mac OS X) | • | • | • | • | • |
| MxControlCenter (Windows) | • | • | • | • | • |
| MOBOTIX App (iOS) | • | • | • | • | • |

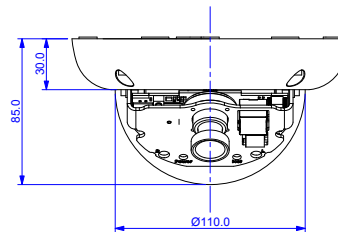
Delivered Parts D25M (Secure)



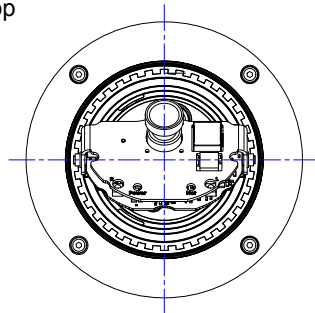
Side



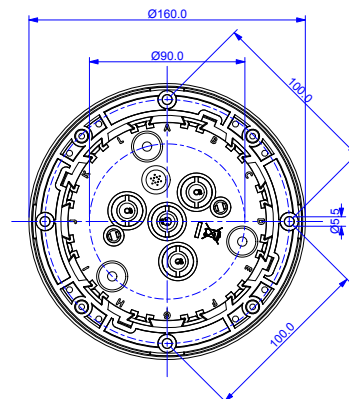
Front



Top



Bottom





Outer shell

Dome

Lens unit

Key R

Key L

LEDs

Slot for MicroSD card

MiniUSB (e.g. for ExtIO)

Network Connection



(D25M – Camera housing and connectors, excerpt from the technical documentation)