

## OAM/IP-Based Remotely Managed NID (Network Interface Device)



- ▶ Applications:
  - Ethernet in the First Mile (EFM)
  - Fiber to the Premise (FTTP), E-Line and E-LAN
  - Enterprise markets

## CFBRM10xx-1xx



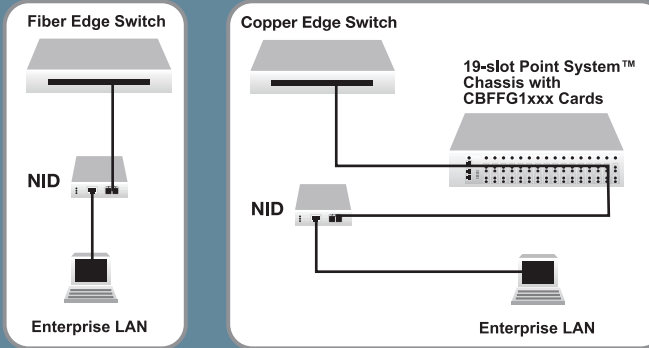
**NEW**



### Features

- ▶ Two selectable remote management modes:
  - IP-Based remote management
  - In-Band OAM 802.3ah (remote device managed by local peer)
- ▶ SNMP v1, v2\*
- ▶ AutoCross™
- ▶ Auto-Negotiation
- ▶ Pause
- ▶ Transparent Link Pass Through
- ▶ Far-End-Fault
- ▶ Remote Loopback
- ▶ IEEE 802.1p™ QOS packet classification with 4 egress queues
- ▶ Ipv4 IP TOS and DiffServ QOS classification, IPv6 Traffic class
- ▶ IEEE 802.1q™ VLAN, 4096 entries
- ▶ Static MAC, 64 entries
- ▶ Double VLAN tagging (C-tag/S-tag)
- ▶ IEEE 802.1x™ Port based security
- ▶ RADIUS client
- ▶ RMON counters for each port
- ▶ Bandwidth allocation per port
- ▶ DMI Optical Management
- ▶ IPv4 IGMP v1/v2 snooping
- ▶ USB port for basic setup
- ▶ Cable diagnostic function for TP ports
- ▶ 8K MAC addresses
- ▶ Remote Firmware Upgrade

### Remotely Managed 10/100 NID IP or OAM Management



### Specifications

Standards	IEEE Std. 802.3™, IEEE Std. 802.3ah, IEEE Std. 802.1P, IEEE Std. 802.1Q, IEEE Std. 802.1X				
Data Rate	<b>Copper:</b> 10/100 <b>Fiber:</b> 100 Mbps				
Filtering Addresses	8K MAC Addresses				
RAM Buffers	256K (2 Mbps)				
Max Frame Size	<b>802.3ac tagged:</b> 1628 bytes <b>untagged:</b> 1632 bytes				
Fiber Optic Connector Specs					
	Min TX PWR (dBm)	Max TX PWR (dBm)	RX Sens (dBm)	Max In PWR (dBm)	Link Budget (dB)
SKU					
CFBRM1011-1x0	-19.0	-14.0	-30.0	-14.0	11.0
CFBRM1013-1x0	-19.0	-14.0	-30.0	-14.0	11.0
CFBRM1014-1x0	-15.0	-8.0	-31.0	-8.0	16.0
CFBRM1015-1x0	-8.0	-2.0	-34.0	-7.0	26.0
CFBRM1016-1x0	-5.0	0.0	-34.0	-7.0	29.0
CFBRM1017-1x0	-5.0	0.0	-34.0	-7.0	29.0
CFBRM1029-1x0	-13.0	-6.0	-32.0	-3.0	19.0
CFBRM1029-1x1	-13.0	-6.0	-32.0	-3.0	19.0
CFBRM1029-1x2	-8.0	-3.0	-33.0	-3.0	25.0
CFBRM1029-1x3	-8.0	-3.0	-33.0	-3.0	25.0
CFBRM1035-1x0	0.0	+5.0	-36.0	-3.0	36.0
Dimensions					
	<b>Width:</b> 0.86" [22 mm] <b>Depth:</b> 5.0" [127 mm] <b>Height:</b> 3.4" [86 mm]				
Power Consumption	5.1 watts				
Environment	See chassis specifications				
Shipping Weight	1 lb. [0.45 kg]				
Regulatory Compliance	CISPR/EN55022 Class B, EN55024, EN61000, FCC Class B, CE Mark				
Warranty	Lifetime				

\*Future firmware upgrade; Please contact Transition Networks for upgrade availability.

### Ordering Info

- CFBRM1011-100**  
**CFBRM1011-110 (DMI model)**  
10/100BASE-TX (RJ-45) [100 m]  
to 100BASE-FX 1300nm MM (ST)  
[2 km/1.2 mi.] Link Budget: 11.0 dB
- CFBRM1013-100**  
**CFBRM1013-110 (DMI model)**  
10/100BASE-TX (RJ-45) [100 m]  
to 100BASE-FX 1300nm MM (SC)  
[2 km/1.2 mi.] Link Budget: 11.0 dB
- CFBRM1014-100**  
**CFBRM1014-110 (DMI model)**  
10/100BASE-TX (RJ-45) [100 m]  
to 100BASE-LX10 1310nm SM (SC)  
[10 km/6.2 mi.] Link Budget: 16.0 dB
- CFBRM1015-100**  
**CFBRM1015-110 (DMI model)**  
10/100BASE-TX (RJ-45) [100 m]  
to 100BASE-FX 1310nm SM (SC)  
[40 km/24.9 mi.] Link Budget: 26.0 dB
- CFBRM1016-100**  
**CFBRM1016-110 (DMI model)**  
10/100BASE-TX (RJ-45) [100 m]  
to 100BASE-FX 1310nm SM (SC)  
[60 km/37.3 mi.] Link Budget: 29.0 dB
- CFBRM1017-100**  
**CFBRM1017-110 (DMI model)**  
10/100BASE-TX (RJ-45) [100 m]  
to 100BASE-FX 1550nm SM (SC)  
[80 km/49.7 mi.] Link Budget: 29.0 dB
- CFBRM1035-100**  
**CFBRM1035-110 (DMI model)**  
10/100BASE-TX (RJ-45) [100 m]  
to 100BASE-FX 1550nm SM (SC)  
[120 km/74.6 mi.] Link Budget: 36.0 dB
- CFBRM1040-100**  
10/100BASE-TX (RJ-45) [100 m]  
to SFP slot (empty)
- Single Fiber Products**  
*Recommended use in pairs*
- CFBRM1029-100**  
**CFBRM1029-110 (DMI model)**  
10/100BASE-TX (RJ-45) [100 m]  
to 100BASE-BX-U 1310nm TX/1550nm RX Bi-Di single mode (SC)  
[20 km/12.4 mi.] Link Budget: 19.0 dB
- CFBRM1029-101**  
**CFBRM1029-111 (DMI model)**  
10/100BASE-TX (RJ-45) [100 m]  
to 100BASE-BX-D 1550nm TX/1310nm RX Bi-Di SM (SC)  
[20 km/12.4 mi.] Link Budget: 19.0 dB
- CFBRM1029-102**  
**CFBRM1029-112 (DMI model)**  
10/100BASE-TX (RJ-45) [100 m]  
to 100BASE-FX 1310nm TX/1550nm RX Bi-Di SM (SC)  
[40 km/24.8 mi.] Link Budget: 25.0 dB
- CFBRM1029-103**  
**CFBRM1029-113 (DMI model)**  
10/100BASE-TX (RJ-45) [100 m]  
to 100BASE-FX 1550nm TX/1310nm RX Bi-Di SM (SC)  
[40 km/24.8 mi.] Link Budget: 25.0 dB

Note: all units feature USB port for local management application.



Transition Networks, Inc.  
6475 City West Parkway  
Minneapolis, MN 55344 USA

©2006 Transition Networks, Inc.  
All trademarks are the property of their respective owners.  
Technical information is subject to change without notice.

tel 952.941.7600  
or 800.526.9267  
fax 952.941.2322  
info@transition.com  
http://www.transition.com